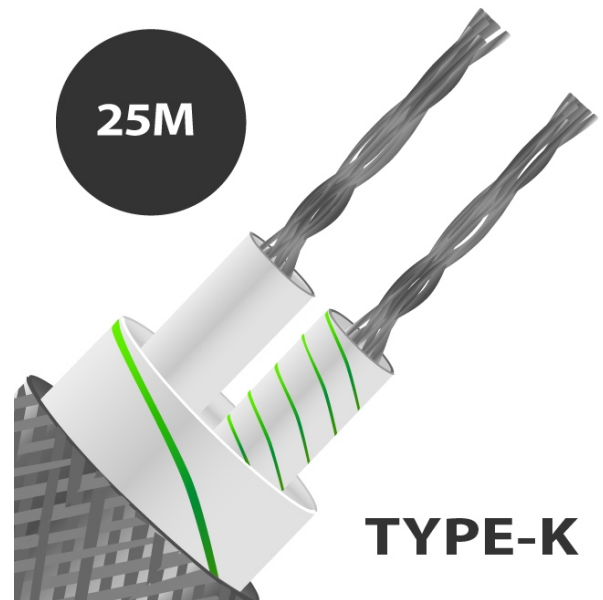
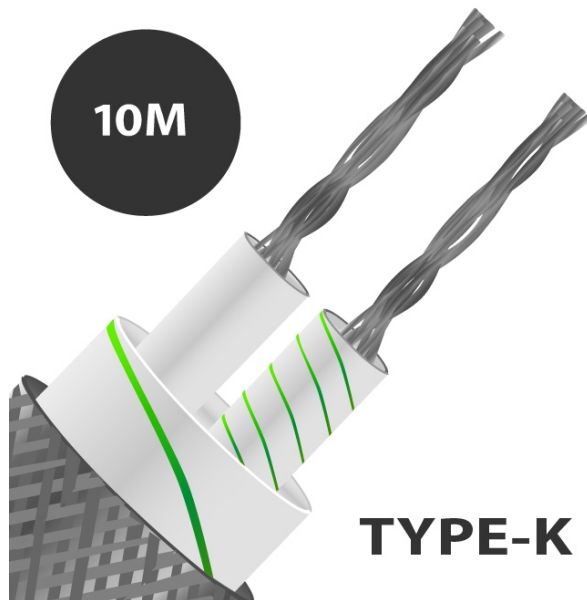
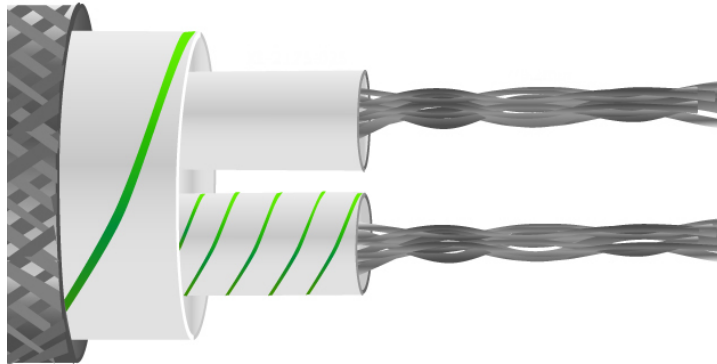


## Typ K Glasfaserisoliertes Flachbandkabel / Kabel mit Edelstahlgeflecht (IEC)



Labfacility are the UK's leading manufacturer of Temperature Sensors, Thermocouple Connectors and associated Temperature Instrumentation and stockings of Thermocouple Cables. The Company has been trading since 1971 and is ISO9001 accredited.

**Typ K Glasfaserisoliertes Flachbandkabel / Kabel mit Edelstahlgeflecht (IEC)**

Glasfaserisolierte Flachpaarkonstruktion, Leiter flach verlegt, Glasfaser isoliert mit Glasfasermantel, Silikon durchgehend lackiert + Edelstahlgeflecht für zusätzlichen Schutz und mechanische Festigkeit. Gute Temperaturbeständigkeit, aber nicht geeignet, wenn Flüssigkeiten vorhanden sind.

**Leistungsbeschreibung**
**Specifications**

<b>General Description</b>	Good strength to physical disturbance and high temperature (up to 400°C). Will not prevent ingress of fluids.
<b>Cable Length</b>	5m, 10m, 25m, 50m, 100m
<b>Cable Type</b>	Flat pair cable
<b>Core / Strands</b>	7/0.2mm
<b>Conductor Cross Section 1/0.315 (mm<sup>2</sup>)</b>	0.078
<b>Conductor Cross Section 1/0.508 (mm<sup>2</sup>)</b>	0.203
<b>Conductor Cross Section 7/0.2 (mm<sup>2</sup>)</b>	0.219
<b>Outer Colour</b>	Green
<b>+ Colour</b>	Green
<b>- Colour</b>	White
<b>Drain Wire</b>	No
<b>Insulation Material</b>	Glassfibre insulated extension cable with stainless steel overbraiding



Loop Resistance 1/0.315 (Ohms per combined metre)	12.8
Loop Resistance 1/0.508 (Ohms per combined metre)	4.9
Loop Resistance 7/0.2 (Ohms per combined metre)	4.5
Max. Temperature	+350°C (short periods up to 400°C)
Min. Temperature	-60°C
+ Conductor	Nickel Chromium
- Conductor	Nickel Aluminium
Screen	No
Standards Met	Colour code (cores & jacket) to IEC-584-3
Thermocouple Type	K
Tolerance	Class 2