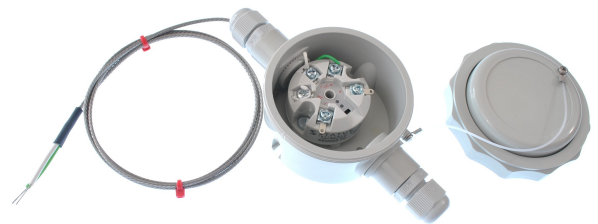
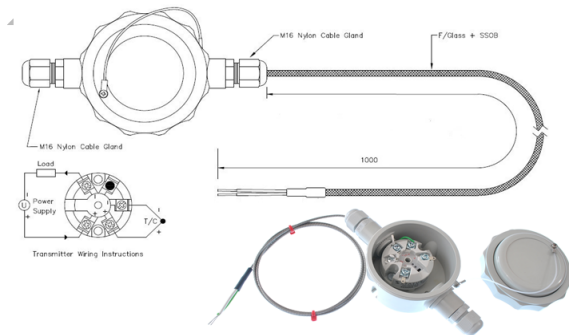


# 4-20mA Fernwandgehäuse, Thermoelementeingang Typ K mit 1m F/G-Leitung



Labfacility are the UK's leading manufacturer of Temperature Sensors, Thermocouple Connectors and associated Temperature Instrumentation and stockings of Thermocouple Cables. The Company has been trading since 1971 and is ISO9001 accredited.

## Specifications

<b>Product Code</b>	XE-5522-001
<b>General Description</b>	Surface Mounting for remote installation
<b>Thermocouple Type</b>	Compatible with type K (NC/NA) thermocouples
<b>Cable Length</b>	1m
<b>Cable Type</b>	Type K 7/0.2 fibre glass cable with stainless steel overbraid
<b>Cable Termination</b>	Bare tails
<b>Head Type</b>	High Impact ABS Plastic Construction
<b>Entry Threads</b>	M16
<b>Transmitter</b>	The push button temperature transmitter is a cost effective “smart” in head transmitter that accepts thermocouple temperature sensors and converts sensor output over a configured range to a standard industrial (4 to 20) mA transmission signal.
<b>Range</b>	0-1000°C (transmitter can be re-ranged if desired)
<b>Output</b>	4-20 mA