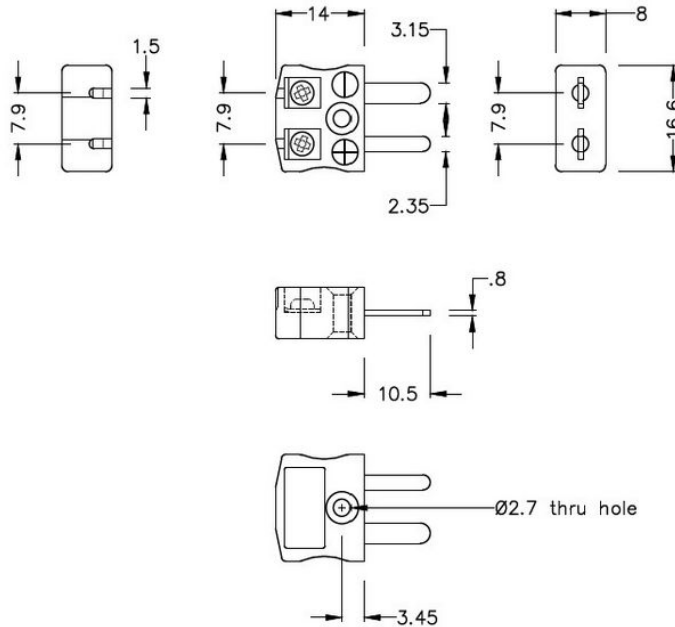
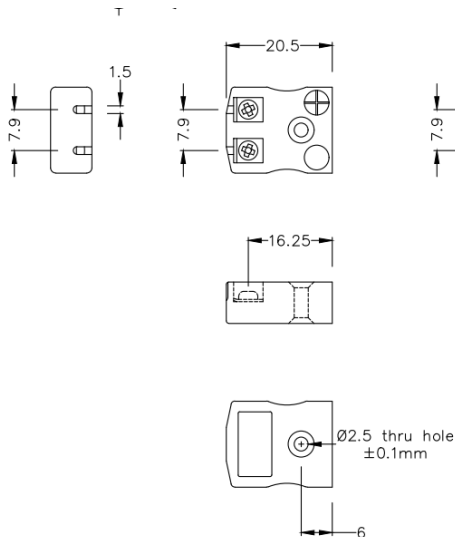


Miniatur-Schnelldraht-Thermoelement-Steckverbinder Stecker & Buchse AM-R/S-MQ+FQ Typ R/S ANSI



Miniature in-line Plug - Quick Wire
(dimensions in mm)



Miniature in-line Socket - Quick Wire
(dimensions in mm)



Labfacility are the UK's leading manufacturer of Temperature Sensors, Thermocouple Connectors and associated Temperature Instrumentation and stockings of Thermocouple Cables. The Company has been trading since 1971 and is ISO9001 accredited.

Miniatur-Thermoelement-Steckverbinder Schnelldrahtstecker & Buchse AM-R/S-MQ+FQ Typ R/S ANSI

Miniatur-Steckverbinder mit flachen Steckstiften. Einfacher Jab-in-Anschluss fr eine schnelle Terminierung. Einfach Draht einstecken & Schraube festziehen.

Leistungsbeschreibung**Specifications**

| | |
|----------------------------|--|
| Product Code | XE-1023-001 |
| General Description | Easy jab-in connection for rapid termination |
| Thermocouple Type | R/S ANSI |
| Connector Size | Miniature |
| Connector Type | Quick Wire Plug & Socket |
| Colour | Green |
| Max. Temperature | 220°C |
| Pins | Flat Pins |
| +Positive Contact | Copper |
| -Negative Contact | Copper |
| Standards Met | BS EN 50212:1997. RoHS |