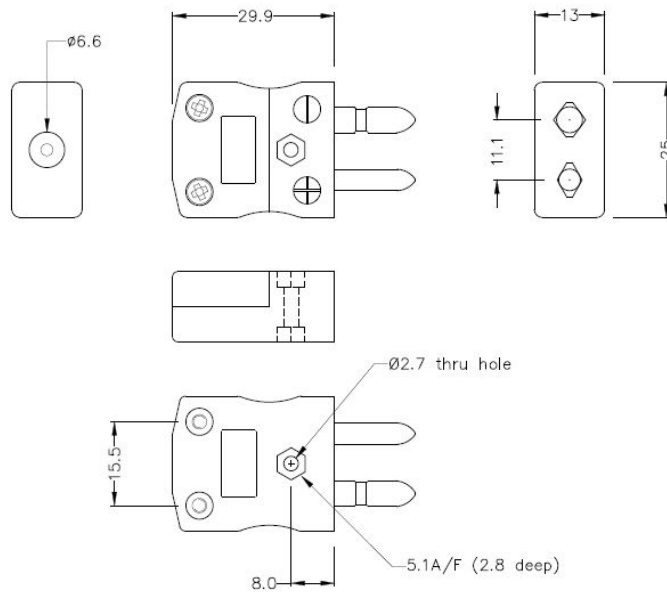
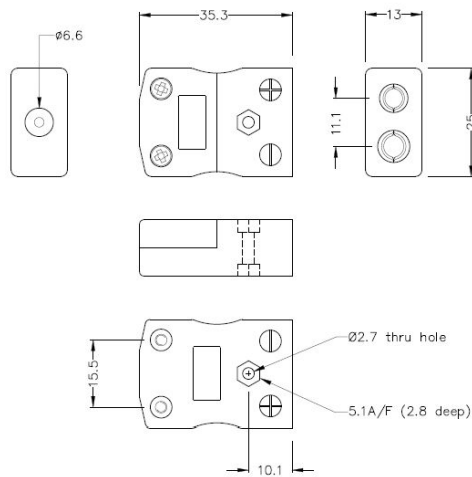


Standard Thermoelement Stecker & Socket AS-N-M+F Typ N ANSI



Standard in-line Plug
(dimensions in mm)



Standard in-line Socket
(dimensions in mm)



Labfacility are the UK's leading manufacturer of Temperature Sensors, Thermocouple Connectors and associated Temperature Instrumentation and stockings of Thermocouple Cables. The Company has been trading since 1971 and is ISO9001 accredited.

Standard Thermoelement Stecker & Socket AS-N-M+F Typ N ANSI

Kontakte werden aus echten Thermoelementlegierungen hergestellt. Geeignet für industrielle Anwendungen

Spezifikationen**Specifications**

Product Code	XE-1062-001
General Description	Contacts are polarised to prevent incorrect connection
Thermocouple Type	N ANSI
Connector Size	Standard
Connector Type	Plug & Socket
Colour	Orange
Max. Temperature	220°C
Pins	Solid Round Pins
+Positive Contact	Nickel / Chromium / Silicon
-Negative Contact	Nickel Silicon
Standards Met	BS EN 50212:1997. RoHS