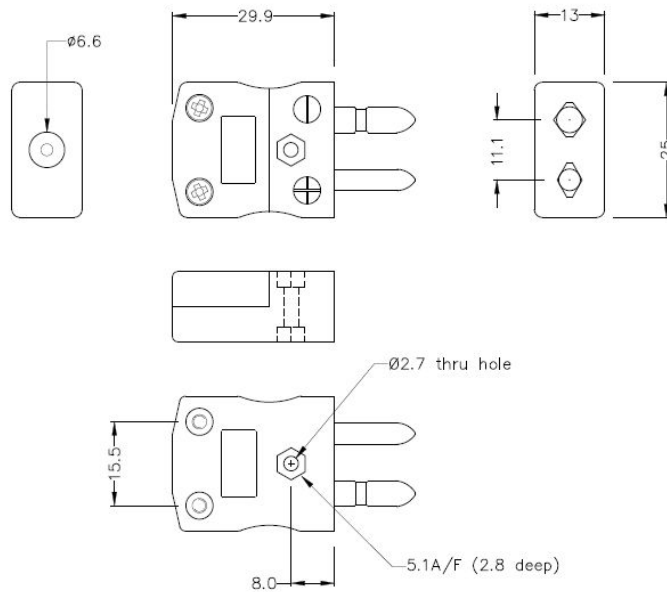
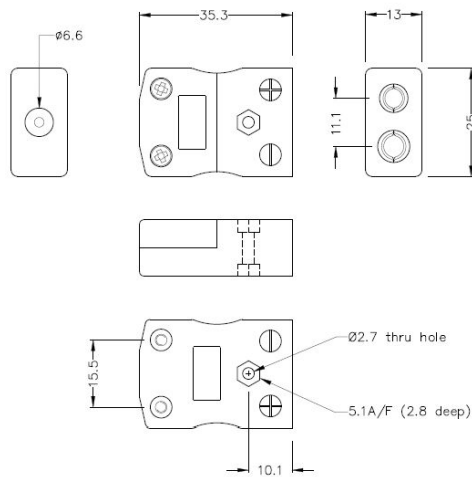


Standard Thermoelement Stecker & Socket AS-CU-M+F Typ CU ANSI



Standard in-line Plug
(dimensions in mm)



Standard in-line Socket
(dimensions in mm)



Labfacility are the UK's leading manufacturer of Temperature Sensors, Thermocouple Connectors and associated Temperature Instrumentation and stockings of Thermocouple Cables. The Company has been trading since 1971 and is ISO9001 accredited.

Standard Thermoelement Stecker & Sockel AS-CU-M+F Typ CU ANSI

Kontakte werden aus echten Thermoelementlegierungen hergestellt. Geeignet für industrielle Anwendungen

Spezifikationen**Specifications**

Product Code	XE-1065-001
General Description	Contacts are polarised to prevent incorrect connection
Thermocouple Type	CU ANSI
Connector Size	Standard
Connector Type	Plug & Socket
Colour	White
Max. Temperature	220°C
Pins	Solid Round Pins
+Positive Contact	Copper
-Negative Contact	Copper
Standards Met	BS EN 50212:1997. RoHS