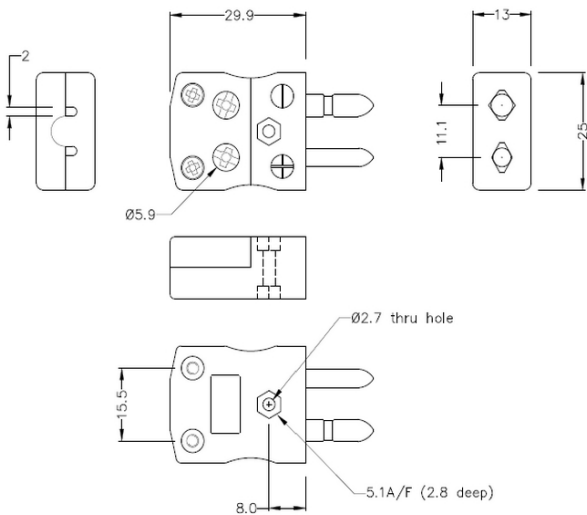


# Standard-Schnelldraht-Thermoelementstecker IS-T-MQ Typ T IEC



**Standard in-line Plug - Quick Wire**  
(dimensions in mm)

Labfacility are the UK's leading manufacturer of Temperature Sensors, Thermocouple Connectors and associated Temperature Instrumentation and stockings of Thermocouple Cables. The Company has been trading since 1971 and is ISO9001 accredited.

**Standard-Schnelldraht-Thermoelementstecker IS-T-MQ Typ T IEC**

Einfache "Jab-in" Verbindung für schnelle Beendigung, drücken Sie einfach Draht in und ziehen Sie Schraube.  
Kontakte werden polarisiert, um eine falsche Verbindung zu verhindern

**Spezifikationen****Specifications**

<b>Product Code</b>	XE-1501-001
<b>General Description</b>	Easy 'jab-in' connection for rapid termination, contacts are polarised to prevent incorrect connection.
<b>Connector Type</b>	Quick Wire Plug
<b>Connector Size</b>	Standard
<b>Colour</b>	Brown
<b>Max. Temperature</b>	220°C
<b>Pins</b>	Solid Round Pins
<b>+Positive Contact</b>	Copper
<b>-Negative Contact</b>	Copper Nickel
<b>Standards Met</b>	BS EN 50212:1997. RoHS