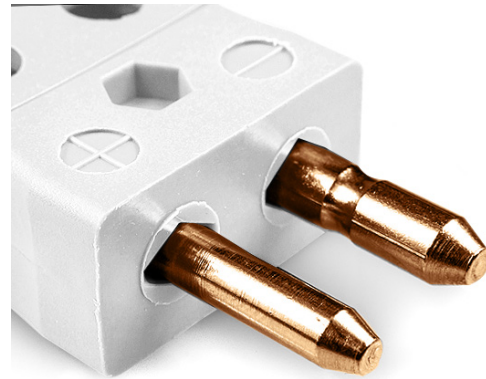
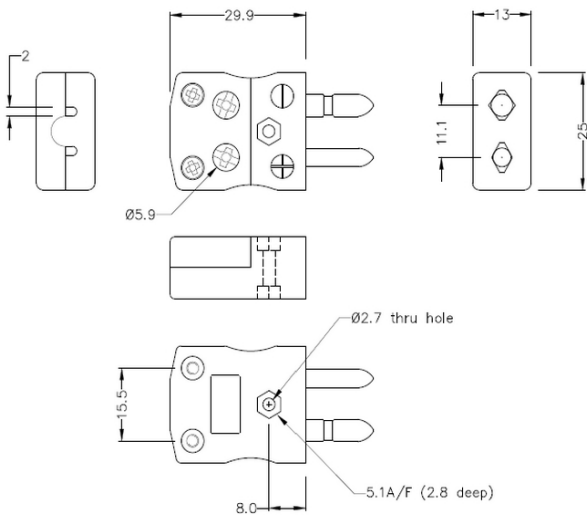
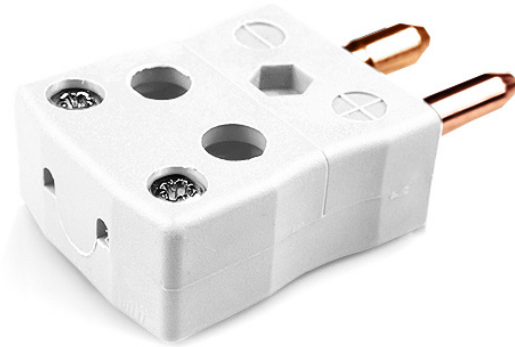


Standard-Schnelldraht-Thermoelementstecker FSTC-CU-MQ Typ Cu



Standard in-line Plug - Quick Wire
(dimensions in mm)

Labfacility are the UK's leading manufacturer of Temperature Sensors, Thermocouple Connectors and associated Temperature Instrumentation and stockings of Thermocouple Cables. The Company has been trading since 1971 and is ISO9001 accredited.

Standard-Schnelldraht-Thermoelementstecker FSTC-CU-MQ Typ CU

Einfache "Jab-in" Verbindung für schnelle Beendigung, drücken Sie einfach Draht in und ziehen Sie Schraube.
Kontakte werden polarisiert, um eine falsche Verbindung zu verhindern

Spezifikationen**Specifications**

Product Code	XE-1681-001
General Description	Easy 'jab-in' connection for rapid termination, contacts are polarised to prevent incorrect connection.
Thermocouple Type	IEC, ANSI, JIS Type CU
Connector Type	Quick Wire Plug
Connector Size	Standard
Colour	White
Max. Temperature	220°C
Pins	Solid Round Pins
+Positive Contact	Copper
-Negative Contact	Copper
Standards Met	BS EN 50212:1997. RoHS